

TOTEM GIOTTO

Aluminium Totem Traffic Lights



DESCRIPTION

Thanks to the continuous investment, development and looking for innovative products that meet the demands of the most demanding markets, LA SEMAFORICA developed THE TOTEM GIOTTO that represents a new concept of traffic lights achieved through a coated extruded aluminium column with an ultra slim and modern shape.

The traffic lights TOTEM is available in 3 LED aspects type "STARLED2" diameter 200 and 300 mm and can be upgraded with a fourth aspect allowing the integration with a repeater traffic light 3 aspects 100 mm diameter and the Countdown's devices.

Thanks to its tight and harmonious shape it fits perfectly in the urban environments. TOTEM GIOTTO helps to give a sense of sophistication and elegance to your city, as well as thanks to its robust and durable housing.

KEY FEATURES

EQUIPMENT

- Shape made by a slim extruded aluminium profile
- Head made by cast aluminium
- External polycarbonate lenses
- Polycarbonate sunshade catchers with quick connections and fall-proof
- Opening doors with double spring locking point ideal for maintenance or for the use of symbol masks lights on the traffic lights aspects

VOLTAGE

- 230 Vac, 42 Vac, 130 Vac, 10/36 V AC/DC on dimming versions 230Vac, 42Vac

FREQUENCY

- 50-60 Hz +/-10%

CONSUMPTION

- 7 W 200 and 300 mm about versions with standard voltage and 4 W with dimming
- 2 W version 12 Vcc with low consumption by request

OPTICS

- LED optical module type STARLED2 with high luminosity with D.200 mm and D.300 mm
- LED optical module with fresnel lens with D.100 mm, D.200 mm, D.300 mm
- External optical lens colored or fumè to choose

APPROACHABILITY

- Opening doors with double spring locking point ideal for maintenance or for the use of symbol masks lights on the traffic lights aspects
- Frontal door can be opened for cabling (made with spring terminals can be tightened without screwdriver and totally in insulation class II), inspection, maintenance and to fix the rotation system

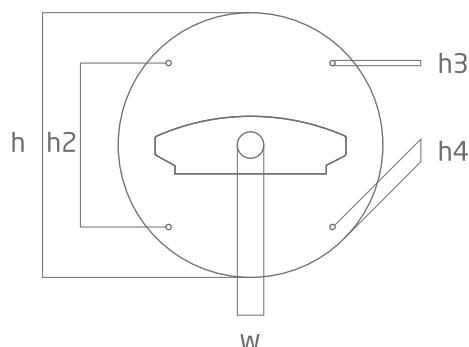
INSTALLATION AND POSITIONING

- Fixing to the ground by the base plate and No. 4 anchor bolts (possible mounting on pre-existing concrete blocks through dowels with chemical product) with orientation system up to 360 ° and rotation lock reaching the required position.
- Wheelbase 400x400 mm TOTEM diameter 200
- Wheelbase 600x600 mm TOTEM diameter 300

FOUNDATION BLOCK SIZE

- To achieve with concrete dosed at 350 kg/m³
- Approximate Dimensions to be verified by structural calculation and target area:

Depth 700 mm
Length 500 mm
Width 500 mm



RESISTANCE TO IMPACT AND VIBRATION

- VIBRATION in compliance to the EN12368:2006
- IMPACT resistance index IR3

PROTECTION

- Housing IP44
- Led module STARLED2 IP65

ENVIRONMENT CLASS

- Class A,B and C , from -40 up to + 60°C

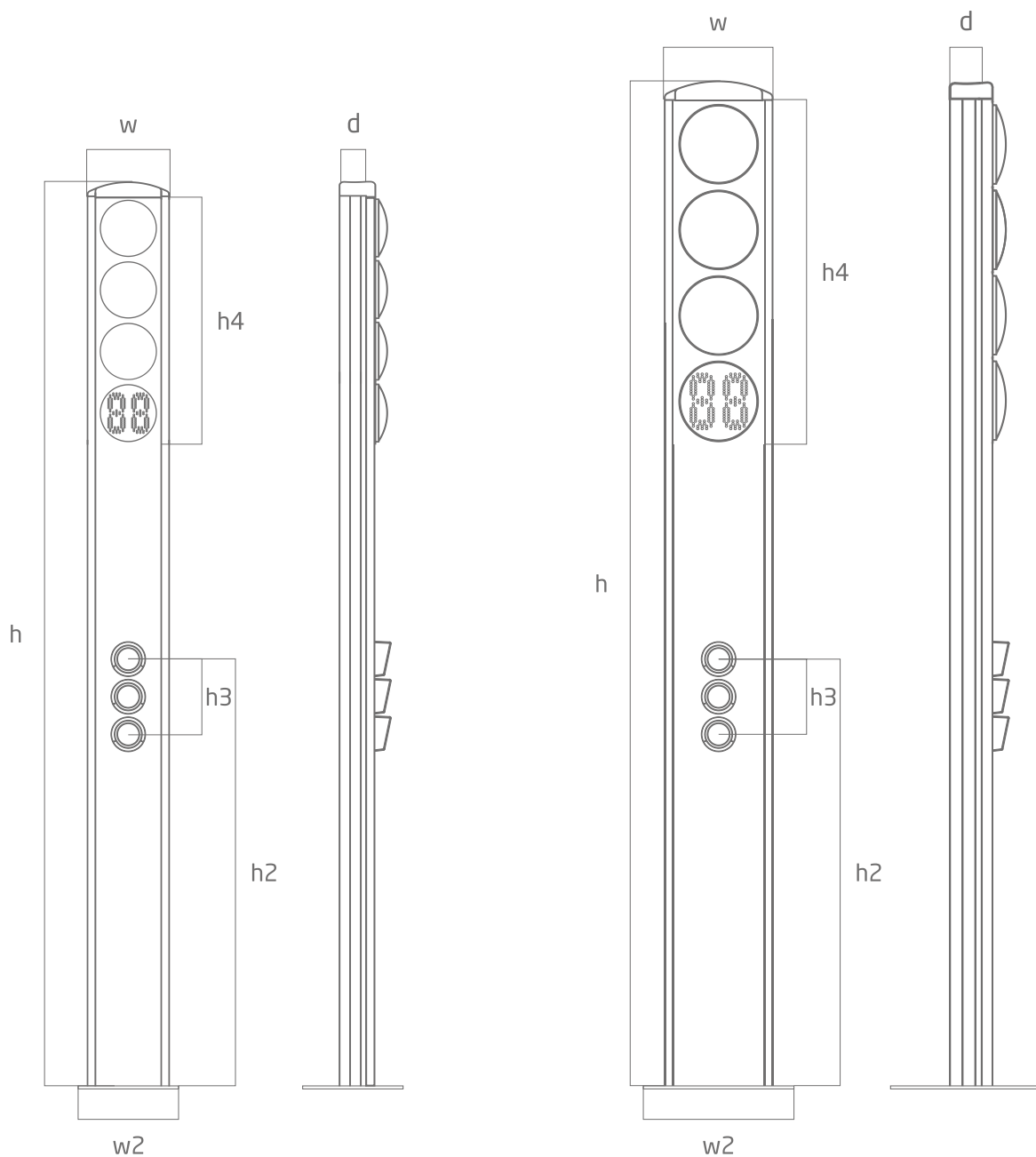
ELECTROMAGNETIC COMPATIBILITY

- In compliance to the EN50293



Diameter	h	h2	h3	h4	w
200mm	400	247,5	12	25	60
300mm	600	371,65	12	25	60

All the dimensions are in mm.



Diameter	w	w2	h	h2	h3	h4	d	Weight in Kg
200mm	327,6	400	3600	1700	290	980	109,5	>40
300mm	432,8	600	4000	1700	290	1327	130,5	>50

All the dimensions are in mm.