

GT100

Aluminium repeater traffic lights series Giotto diam.100 mm



DESCRIPTION

LA SEMAFORICA domestic market leader about the development and manufacture of traffic lights for signalisation, introduces GT100 upon completion of the aluminium traffic lights GIOTTO's series.

GT100 is available as a repeater traffic lights for vehicular signalisation on the junctions and as well as on bike lanes and on public and private parking.

BENEFITS

- Robust and durable
- Easy to install and user friendly
- Slim design
- Low power consumption and high luminosity performance thanks to its led optics started100
- Double lens module for light beam directivity
- Available all the symbols upon request
- Installation on both vertical and horizontal position
- Colors customizable upon request and adhesive brand label as well
- Maintenance-free thanks to its led technology

KEY FEATURES

EQUIPMENT

- Shape made by a slim extruded aluminium profile
- Head made by cast aluminium
- External polycarbonate lenses cast on the polycarbonate frontal doors
- Polycarbonate sunshade catchers
- Opening doors with four screws locking point

DIAMETER

- 100 mm 1,2,3 standards aspects, and with 4 or more aspects upon request

OPTICS

- LED optical module with double lens for light beam directivity
- External neutral lens

VOLTAGE

- 230 Vac or 12 VDC

FREQUENCY

- 50-60 Hz + / -10%

CONSUMPTION

- 5 W

APPROACHABILITY

- Openable Frontal doors with four screw locking points
- Cabling made with spring terminals can be tightened without screwdriver and totally in insulation class II

RESISTANCE TO IMPACT AND VIBRATION

- VIBRATION in compliance to the EN12368:2006
- IMPACT resistance index IR3 in compliance to the EN 60598-1

PROTECTION

- Housing IP44
- Led Module STARLED IP54 comply to the EN60529

ENVIRONMENT CLASS

- Class A,B and C , from -40 up to + 60°C

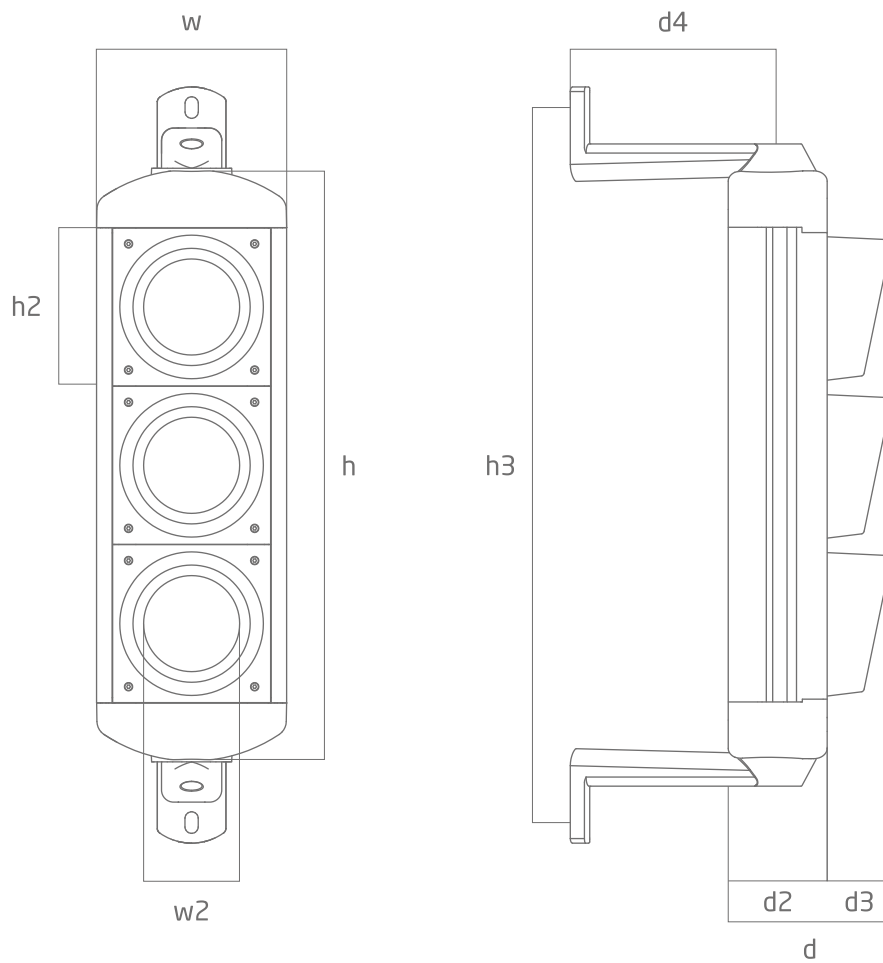
INSTALLATION

- Through aluminium standard brackets with length of (90 mm) or (180 mm) upon request
- Available with the top and bottom blind head upon request to fixing it on the housing with screws

COLORS

- Standard grey RAL 7035 and black RAL 9005 other colors upon request





Number of Aspects	w	w2	h	h2	h3	d	d2	d3	d4	Weight in kg
1	180	90	302	150	400	155	95	60	184/110	3,4
2			407		545					4,6
3			557		690					5,8

All the dimensions are in mm.